

non-threaded PLUGS



WHEN PLUGGING
 "B" Dim. must be at least 1% larger than hole to be plugged.
 Minimum .020".

W Series

Caplug No.	Dimensions												Packaging				Caplug No.
	A		B		C		D		E		F		Standard Carton		Mini Pak Quantity		
	in	mm	in	mm	in	mm	in	mm	in	mm	in	mm	Shipping Wt.(Approx.) lbs	kgs		No. of Pieces	
W-0	.173	4.39	.240	6.10	.111	2.82	.177	4.50	.38	9.65	.56	14.22	3	1.3	5000	1000	W-0
W-1	.240	6.10	.315	8.00	.183	4.65	.245	6.22	.36	9.14	.62	15.75	4	1.8	5000	1000	W-1
W-2	.302	7.67	.375	9.53	.240	6.10	.303	7.70	.38	9.65	.69	17.53	5	2.2	5000	1000	W-2
W-3	.360	9.14	.425	10.80	.298	7.57	.363	9.22	.38	9.65	.75	19.05	6	2.7	5000	1000	W-3
W-4	.425	10.80	.480	12.19	.363	9.22	.418	10.62	.38	9.65	.81	20.57	7	3.1	5000	1000	W-4
W-5	.472	11.99	.540	13.72	.410	10.41	.478	12.14	.44	11.18	.88	22.35	8	3.6	5000	1000	W-5
W-6	.536	13.61	.615	15.62	.474	12.04	.553	14.05	.44	11.18	.94	23.88	10	4.5	5000	1000	W-6
W-7	.590	14.99	.670	17.02	.526	13.41	.608	15.44	.50	12.70	1.00	25.40	11	4.9	5000	1000	W-7
W-8	.643	16.33	.726	18.44	.581	14.76	.662	16.82	.50	12.70	1.03	26.16	12	5.4	5000	1000	W-8
W-9	.683	17.35	.785	19.94	.621	15.77	.723	18.36	.53	13.46	1.13	28.70	14	6.3	5000	1000	W-9
W-10	.765	19.43	.865	21.97	.703	17.86	.803	20.40	.56	14.22	1.19	30.23	15	6.8	5000	1000	W-10
W-11	.820	20.83	.930	23.62	.758	19.25	.868	22.05	.59	14.99	1.25	31.75	18	8.1	5000	1000	W-11
W-12	.872	22.15	.977	24.82	.810	20.57	.916	23.27	.59	14.99	1.31	33.28	11	4.9	2500	500	W-12
W-13	.975	24.77	1.104	28.04	.913	23.19	1.042	26.47	.72	18.29	1.44	36.58	14	6.3	2500	500	W-13
W-14	1.158	29.41	1.275	32.39	1.096	27.84	1.213	30.81	.72	18.29	1.56	39.63	15	6.8	2500	500	W-14
W-14X	1.175	29.85	1.284	32.61	1.120	28.45	1.229	31.22	.63	16.00	1.67	42.42	14	6.3	2500	500	W-14X
W-15	1.243	31.57	1.375	34.93	1.181	30.00	1.313	33.35	.72	18.29	1.69	42.93	17	7.6	2500	500	W-15
W-16	1.312	33.33	1.475	37.47	1.250	31.75	1.413	35.89	.88	22.35	1.81	45.98	9	4.0	1000	200	W-16
W-17	1.455	36.96	1.615	41.02	1.393	35.38	1.553	39.45	.72	18.29	1.94	49.28	9	4.0	1000	200	W-17
W-18	1.575	40.01	1.685	42.80	1.513	38.43	1.623	41.23	.69	17.53	2.00	50.80	10	4.5	1000	200	W-18
W-19	1.735	44.07	1.900	48.26	1.673	42.50	1.838	46.69	.72	18.29	2.22	56.39	12	5.4	1000	200	W-19
W-20	1.810	45.98	1.950	49.53	1.748	44.40	1.888	47.96	.69	17.53	2.31	58.68	13	5.8	1000	200	W-20
W-21	1.945	49.40	2.100	53.34	1.883	47.83	2.038	51.77	.69	17.53	2.44	61.98	14	6.3	1000	200	W-21

WWX Series

Caplug No.	Dimensions								Packaging				Caplug No.
	A		B		C		D		Shipping Wt. (Approx.)		No. of Pieces	Mini Pak Quantity	
	in	mm	in	mm	in	mm	in	mm	lbs	kgs			
WWX-8	0.628	15.950	0.725	18.42	2.23	56.64	0.44	11.18	14	6.4	1000	200	WWX-8
WWX-10	0.755	19.180	0.870	22.10	2.37	60.20	0.50	12.70	15	6.8	1000	200	WWX-10
WWX-12	0.867	22.020	0.975	24.77	2.48	62.99	0.56	14.22	16	7.3	1000	200	WWX-12
WWX-13	0.984	24.990	1.105	28.07	2.61	66.29	0.66	16.76	18	8.2	1000	200	WWX-13
WWX-14	1.110	28.200	1.253	31.83	2.73	69.34	0.66	16.76	11	5.0	500	100	WWX-14
WWX-15	1.237	31.420	1.382	35.10	2.88	73.15	0.66	16.76	18	8.2	800	160	WWX-15
WWX-16	1.312	33.320	1.465	37.21	2.97	75.44	0.66	16.76	19	8.6	800	160	WWX-16
WWX-17	1.452	36.880	1.603	40.72	3.10	78.74	0.66	16.76	18	8.2	700	140	WWX-17
WWX-18	1.580	40.130	1.714	43.54	3.21	81.53	0.66	16.76	19	8.6	700	140	WWX-18
WWX-21	1.927	48.950	2.058	52.27	3.56	90.42	0.66	16.76	19	8.6	600	120	WWX-21
WWX-230	2.120	53.850	2.290	58.17	3.79	96.27	1.00	25.40	12	5.4	300	60	WWX-230
WWX-250	2.395	60.830	2.602	66.09	4.10	104.14	1.13	28.70	10	4.5	200	40	WWX-250
WWX-44	2.638	67.010	2.795	70.99	4.26	108.20	1.13	28.70	11	5.0	200	40	WWX-44



PLUGS non-threaded

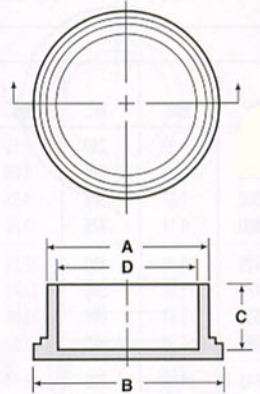
EP Series Plugs for Threaded Connectors



Made to serve as dust and protective closures for threaded connectors, Series EP Plugs are designed for easy application and removal in areas not readily accessible. They can be installed to fit threaded or smooth cylindrical surfaces.



MATERIAL: Low Density Polyethylene
COLOR: Yellow



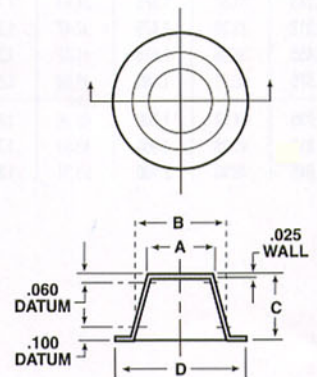
PTP Series Tapered Paper Plugs



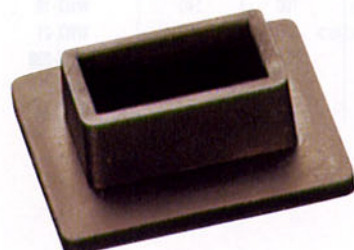
Manufactured from natural paper which is 100% recyclable, PTP Series Paper Plugs are the answer for applications requiring "environmentally-friendly" components. The special paper used in the manufacture of Paper Capplugs is formulated from a blend of 90% virgin pulp and 10% post-consumer recycled paper. These closures will withstand temperatures up to 400°F (204°C), making them ideal for high-temperature applications which may degrade typical plastic plugs. The flexibility and tapered design of the PTP Series allow quick, easy installation and removal.



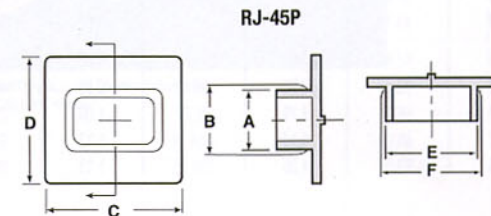
MATERIAL: 90 lb. Paperboard
COLOR: Natural



RJ Series Telephone Jack Plug



Contact factory for information on black conductive polyethylene plugs for protecting RJ telephone-type connecting jacks on computers.



MATERIAL: Conductive Polyethylene
COLOR: Black

non-threaded PLUGS



EP Series

Applicable Specs.: MS-90376, NAS-820, NAS-837

Caplug No.	Dimensions									Packaging				Caplug No.
	To Fit Thread Size	A		B		C		D		Standard Carton		Mini Pak Quantity		
		in	mm	in	mm	in	mm	in	mm	Shipping Wt. (Approx.) lbs	kgs		No. of Pieces	
EP-8	1/2-28	0.483	12.27	0.67	17.02	.63	16.00	0.41	10.41	10	4.5	5000	1000	EP-8
EP-10	5/8-24	0.595	15.11	0.75	19.05	.63	16.00	0.53	13.46	11	4.9	5000	1000	EP-10
EP-12	3/4-20	0.715	18.16	0.86	21.84	.63	16.00	0.66	16.76	17	7.6	5000	1000	EP-12
EP-14	7/8-20	0.845	21.46	1.03	26.16	.63	16.00	0.79	20.07	20	9	5000	1000	EP-14
EP-16	1-20	0.963	24.46	1.12	28.45	.63	16.00	0.89	22.61	11	4.9	2500	500	EP-16
EP-18	1 1/8-18	1.088	27.64	1.25	31.75	.63	16.00	1.03	26.16	13	5.8	2500	500	EP-18
EP-20	1 1/4-18	1.215	30.86	1.40	35.56	.63	16.00	1.15	29.21	14	6.3	2500	500	EP-20
EP-22	1 3/8-18	1.340	34.04	1.50	38.10	.63	16.00	1.27	32.26	16	7.2	2500	500	EP-22
EP-24	1 1/2-18	1.460	37.08	1.64	41.66	.55	13.97	1.39	35.31	8	3.6	1000	200	EP-24
EP-25	1 5/8-16	1.580	40.13	1.81	45.98	.63	16.00	1.54	39.12	10	4.5	1000	200	EP-25
EP-28	1 3/4-18	1.718	43.64	1.87	47.49	.63	16.00	1.65	42.67	11	4.9	1000	200	EP-28
EP-32	2-18	1.970	50.04	2.13	54.10	.63	16.00	1.89	48.01	12	5.4	1000	200	EP-32
EP-36	2 1/4-16	2.210	56.13	2.34	59.44	.63	16.00	2.14	54.36	15	6.8	1000	200	EP-36
EP-40	2 1/2-16	2.450	62.23	2.60	66.04	.63	16.00	2.38	60.45	18	8.1	1000	200	EP-40

PTP Series

Caplug No.	Dimensions									Packaging				Caplug No.
	To Fit Inside Diameter	A		B		C		D		Standard Carton		Mini Pak Quantity		
		in	mm	in	mm	in	mm	in	mm	Shipping Wt. (Approx.) lbs	kgs		No. of Pieces	
PTP-18-3	1/8	.344	8.74	.418	10.62	.39	9.91	.5	12.70	17	7.6	30000	1000	PTP-18-3
PTP-14-3	1/4	.451	11.46	.502	12.75	.39	9.91	.67	17.02	13	5.9	18000	1000	PTP-14-3
PTP-38-3	3/8	.584	14.83	.738	18.75	.53	13.46	.87	22.10	19	8.6	16000	1000	PTP-38-3
PTP-12-3	1/2	.702	17.83	.896	22.76	.54	13.72	1.09	27.69	17	7.7	10500	1000	PTP-12-3
PTP-34-3	3/4	.921	23.39	1.124	28.55	.56	14.22	1.34	34.04	14	6.4	6200	1000	PTP-34-3
PTP-100-3	1	1.175	29.85	1.471	37.36	.63	16.00	1.79	45.47	17	7.7	5000	1000	PTP-100-3
PTP-114-3	1 1/4	1.504	38.20	1.863	47.32	.69	17.53	2.21	56.14	15	6.8	3000	600	PTP-114-3
PTP-112-3	1 1/2	1.717	43.61	2.096	53.24	.67	17.02	2.43	61.72	15	6.8	2700	540	PTP-112-3
PTP-200-3	2	2.198	55.83	2.485	63.12	.70	17.78	2.79	70.87	14	6.4	1800	360	PTP-200-3
PTP-212-3	2 1/2	2.628	66.75	3.188	80.98	.69	17.53	3.68	93.48	14	6.4	1300	260	PTP-212-3
PTP-300-3	3	3.145	79.89	3.772	95.81	.70	17.78	4.28	108.72	14	6.4	1000	200	PTP-300-3

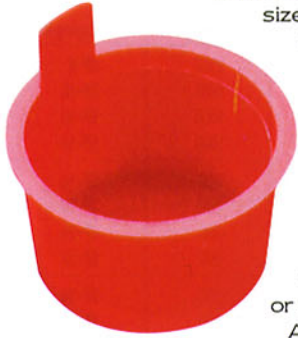
RJ Series

Caplug No.	Dimensions										Packaging				Caplug No.		
	A		B		C		D		E		F		Standard Carton			Mini Pak Quantity	
	in	mm	in	mm	in	mm	in	mm	in	mm	in	mm	Shipping Wt.(Approx.) lbs	kgs			No. of Pieces
RJ-45P	0.27	6.86	0.28	7.11	0.62	15.75	0.57	14.48	0.435	11.05	0.445	11.30	4	1.8	2500	500	RJ-45P

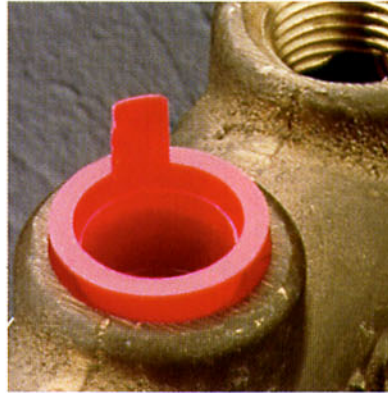


PLUGS non-threaded

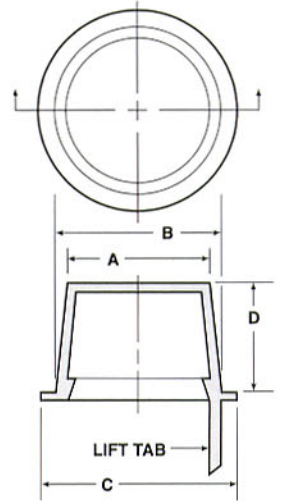
L Series Lift-Tab Tapered Plugs



Having the same dimensions as standard Tapered Caplugs of like size, Series L Plugs offer the added convenience of an integral lift-tab which facilitates their removal. Since it extends above the plug body, the tab is easy to grasp. This is particularly advantageous with plugs in the smaller sizes and those installed in tight quarters or difficult to reach locations. A bead molded on the tab affords a positive grip. Pulling the tab exerts an off-center force which breaks the seal between plug and wall of opening, permitting instant withdrawal.

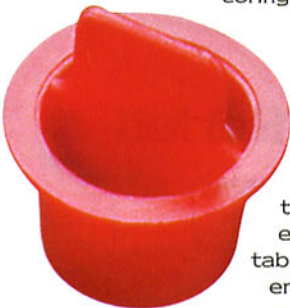


MATERIAL: Low Density Polyethylene
COLOR*: Red

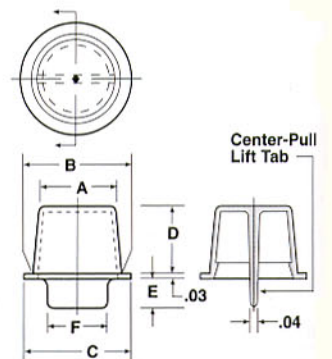


CPT Series Center-Pull Tab Tapered Plugs

Series CPT Plugs have the same configuration and dimensions of standard Tapered Caplugs but with an integral center-pull tab which facilitates insertion and removal of the plug. The tab extends well above the plug body, making it easy to grasp. Since the tab is molded fully into the end and side walls of the plug, it will not break off during plug removal. The concentric design of the CPT allows a straight-pull removal without disturbing O-ring fittings.



MATERIAL: Low Density Polyethylene
COLOR*: Red



EXPANDED

non-threaded PLUGS



L Series

Caplug No.	Dimensions								Packaging				Caplug No.		
	A		B		C		D		Standard Carton		Mini Pak Quantity				
	in	mm	in	mm	in	mm	in	mm	Shipping Wt.(Approx.) lbs	kgs		No. of Pieces			
L-1	.236	5.99	.302	7.67	.44	11.18	.38	9.65	.38	9.65	3	1.3	5000	1000	L-1
L-1X	.267	6.78	.335	8.51	.47	11.94	.38	9.65	.38	9.65	3	1.3	5000	1000	L-1X
L-2	.299	7.59	.365	9.27	.50	12.70	.38	9.65	.38	9.65	4	1.8	5000	1000	L-2
L-2X	.330	8.38	.396	10.06	.53	13.46	.38	9.65	.38	9.65	5	2.2	5000	1000	L-2X
L-3	.361	9.17	.427	10.85	.56	14.22	.38	9.65	.38	9.65	4	1.8	5000	1000	L-3
L-3X	.390	9.91	.456	11.58	.59	14.99	.38	9.65	.38	9.65	4	1.8	5000	1000	L-3X
L-4	.419	10.64	.485	12.32	.62	15.75	.38	9.65	.38	9.65	6	2.7	5000	1000	L-4
L-4X	.447	11.35	.513	13.03	.66	16.76	.38	9.65	.38	9.65	6	2.7	5000	1000	L-4X
L-5	.471	11.96	.547	13.89	.69	17.53	.44	11.18	.44	11.18	6	2.7	5000	1000	L-5
L-5X	.500	12.70	.576	14.63	.72	18.29	.44	11.18	.44	11.18	8	3.6	5000	1000	L-5X
L-6	.532	13.51	.608	15.44	.75	19.05	.44	11.18	.44	11.18	7	3.1	5000	1000	L-6
L-6X	.550	13.97	.631	16.03	.75	19.05	.47	11.94	.47	11.94	9	4.0	5000	1000	L-6X
L-7	.580	14.73	.667	16.94	.81	20.57	.50	12.70	.50	12.70	8	3.6	5000	1000	L-7
L-7X	.610	15.49	.695	17.65	.84	21.34	.50	12.70	.50	12.70	10	4.5	5000	1000	L-7X
L-8	.640	16.26	.727	18.47	.88	22.35	.50	12.70	.50	12.70	10	4.5	5000	1000	L-8
L-8X	.675	17.15	.755	19.18	.88	22.35	.50	12.70	.50	12.70	11	4.9	5000	1000	L-8X
L-9	.690	17.53	.788	20.02	.94	23.88	.56	14.22	.56	14.22	13	5.8	5000	1000	L-9
L-9X	.725	18.42	.823	20.91	.97	24.64	.56	14.22	.56	14.22	13	5.8	5000	1000	L-9X
L-10	.750	19.05	.848	21.54	1.00	25.40	.56	14.22	.56	14.22	13	5.8	5000	1000	L-10
L-11	.802	20.37	.911	23.14	1.06	26.93	.62	15.75	.62	15.75	16	7.2	5000	1000	L-11
L-11X	.815	20.70	.930	23.62	1.09	27.69	.62	15.75	.62	15.75	16	7.2	5000	1000	L-11X
L-12	.866	21.99	.975	24.77	1.12	28.45	.62	15.75	.62	15.75	15	6.8	5000	1000	L-12
L-12X	.915	23.24	1.040	26.42	1.16	29.47	.68	17.27	.68	17.27	15	6.8	5000	1000	L-12X
L-13A	.960	24.38	1.047	26.59	1.19	30.23	.50	12.70	.50	12.70	18	8.2	5000	1000	L-13A
L-13	.964	24.49	1.090	27.69	1.25	31.75	.75	19.05	.75	19.05	13	5.8	2500	500	L-13
L-13X	.995	25.27	1.145	29.08	1.31	33.28	.75	19.05	.75	19.05	13	5.8	2500	500	L-13X
L-14	1.094	27.79	1.215	30.86	1.41	35.82	.75	19.05	.75	19.05	14	6.3	2500	500	L-14
L-14X	1.175	29.85	1.284	32.61	1.44	36.58	.62	15.75	.62	15.75	13	5.8	2500	500	L-14X
L-15X	1.235	31.37	1.360	34.55	1.50	38.10	.81	20.57	.81	20.57	17	7.6	2500	500	L-15X
L-16	1.312	33.33	1.465	37.21	1.62	41.15	.88	22.35	.88	22.35	8	3.6	1000	200	L-16
L-17	1.447	36.76	1.600	40.64	1.75	44.45	.88	22.35	.88	22.35	9	4.0	1000	200	L-17
L-18	1.560	39.63	1.682	42.72	1.88	47.75	.75	19.05	.75	19.05	10	4.5	1000	200	L-18
L-18X	1.630	41.40	1.750	44.45	1.94	49.28	.75	19.05	.75	19.05	10	4.5	1000	200	L-18X
L-19	1.750	44.45	1.880	47.75	2.00	50.80	.75	19.05	.75	19.05	9	4.0	1000	200	L-19
L-20	1.780	45.21	1.950	49.53	2.12	53.85	1.00	25.40	1.00	25.40	10	4.5	1000	200	L-20
L-210	1.844	46.84	2.000	50.80	2.12	53.85	1.00	25.40	1.00	25.40	11	4.9	1000	200	L-210
L-21	1.900	48.26	2.076	52.73	2.25	57.15	1.00	25.40	1.00	25.40	13	5.8	1000	200	L-21

CPT Series

Caplug No.	Dimensions												Packaging				Caplug No.
	A		B		C		D		E		F		Standard Carton		Mini Pak Quantity		
	in	mm	in	mm	in	mm	in	mm	in	mm	in	mm	Shipping Wt.(Approx.) lbs	kgs		No. of Pieces	
CPT-1	.236	5.99	.302	7.67	.44	11.18	.38	9.65	.38	9.65	.13	3.30	5	2.3	5000	1000	CPT-1
CPT-2	.299	7.59	.365	9.27	.50	12.70	.38	9.65	.38	9.65	.19	4.83	6	2.7	5000	1000	CPT-2
CPT-2X	.330	8.38	.396	10.06	.53	13.46	.38	9.65	.38	9.65	.23	5.84	6	2.7	5000	1000	CPT-2X
CPT-2XW	.330	8.38	.396	10.06	.73	18.54	.38	9.65	.38	9.65	.23	5.84	7	3.2	5000	1000	CPT-2XW
CPT-3	.361	9.17	.427	10.85	.56	14.22	.38	9.65	.38	9.65	.25	6.35	7	3.2	5000	1000	CPT-3
CPT-4	.419	10.64	.485	12.32	.62	15.75	.38	9.65	.38	9.65	.31	7.87	8	3.6	5000	1000	CPT-4
CPT-4X	.465	11.81	.524	13.31	.76	19.30	.38	9.65	.38	9.65	.33	8.38	9	4.1	5000	1000	CPT-4X
CPT-5	.471	11.96	.547	13.89	.69	17.53	.44	11.18	.38	9.65	.37	9.40	9	4.1	5000	1000	CPT-5
CPT-6	.532	13.51	.608	15.44	.75	19.05	.44	11.18	.31	7.87	.43	10.92	10	4.5	5000	1000	CPT-6
CPT-6X	.550	13.97	.631	16.03	.75	19.05	.47	11.94	.25	6.35	.45	11.43	11	5.0	5000	1000	CPT-6X
CPT-9	.690	17.53	.788	20.02	.94	23.88	.56	14.22	.25	6.35	.50	12.70	15	6.8	5000	1000	CPT-9
CPT-12X	.915	23.24	1.040	26.41	1.16	29.46	.68	17.46	.25	6.35	.50	12.70	24	10.9	5000	1000	CPT-12X
CPT-14X	1.150	29.21	1.274	32.36	1.55	39.37	.50	12.70	.50	12.70	.82	20.83	15	6.8	2000	400	CPT-14X
CPT-24S	2.230	56.64	2.270	57.66	2.50	63.50	.50	12.70	.21	5.33	.80	20.32	12	5.4	1000	200	CPT-24S